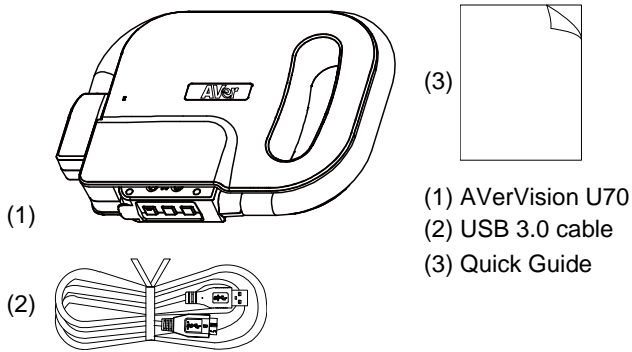
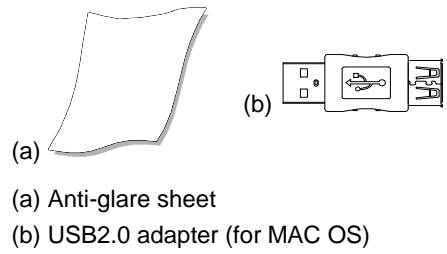


AVerVision U70 is a USB powered document camera. It comes with a USB 3.0 port which you can connect to a computer.

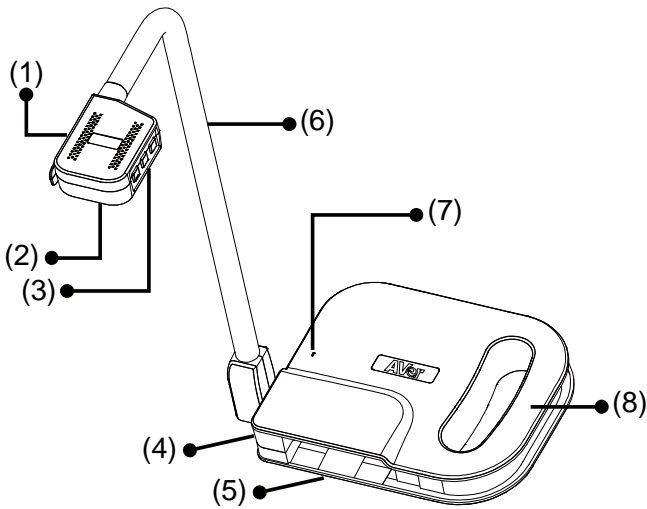
Package Contents



Optional Accessories



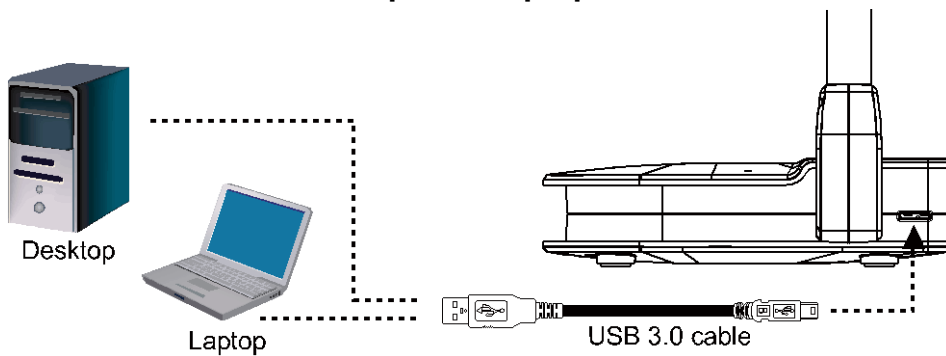
U70 Parts



Parts

- (1) Rotate/Camera/LED buttons
 - - Rotate the image.
 - - capture a still image.
 - - turn the overhead LED light on/off.
- (2) Camera sensor and LED
- (3) AF/Zoom in/Zoom out buttons
 - - Automatically Adjust the Focus.
 - / - Increase/decrease the image magnification.
- (4) USB 3.0 ports
- (5) Camera storage compartment
- (6) Flex arm
- (7) Built-in Mic
- (8) Handle

Connecting the AVerVision U70 to a Computer /Laptop



[Note] When connecting to a MAC computer, use the USB2.0 adapter to connect to the MAC if you found anomalies in the video stream.

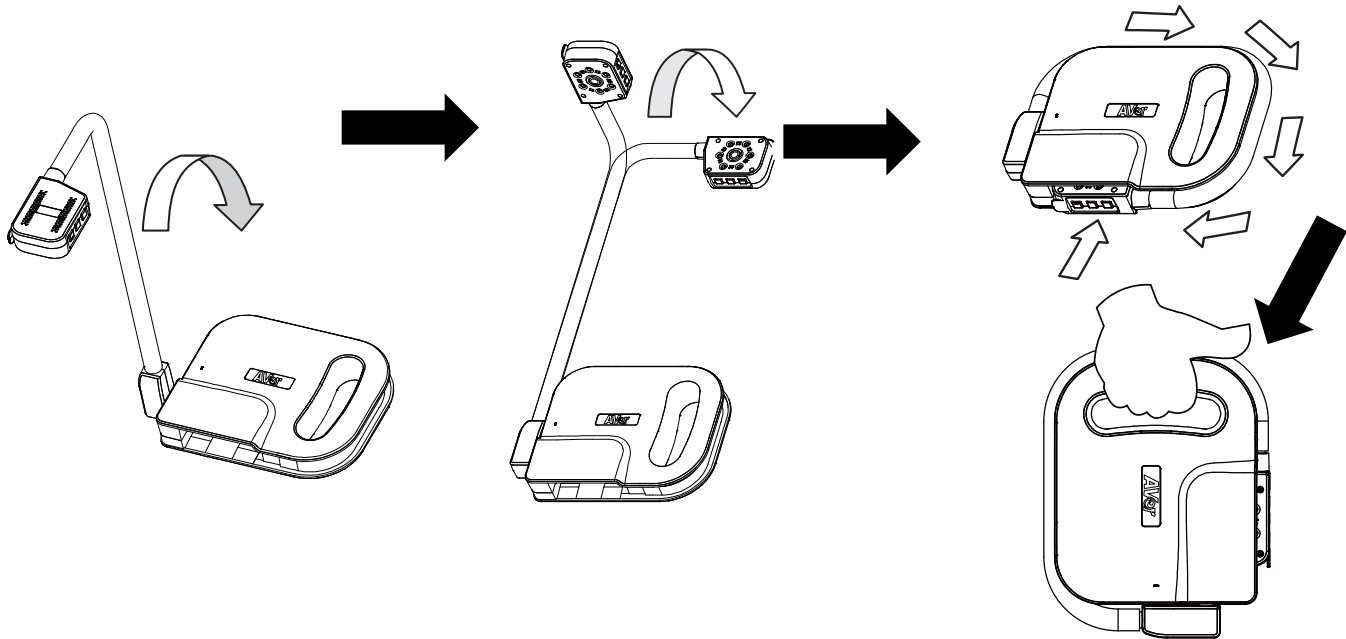


Folding and Storing

The flex arm design allows you to freely bend the arm and store the camera head in the camera storage compartment. Once you have properly secured the camera head to the camera storage compartment, you may now carry the AVerVision U70 from the built-in handle.



Adjust the camera head gently and DO NOT forcibly twist the camera head back and forth or around. It may break the camera head off from the flex arm.



General Specification

Image

Sensor	1/3.06" CMOS Sensor
Pixel Count	8M Pixels (3840*2160)
Frame Rate	60 FPS (Max.) up to 1920x1080 (also depends on computer CPU speed)
TV Lines	1400 (Max)
Output resolution	3840*2160 1920*1080 1280*1024 1280*720 1024*768

Power

Consumption	3.1 Watt with LED lamp ON at USB3.0 2.5 Watt with LED lamp OFF at USB3.0 2.1 Watt with LED lamp ON at USB2.0 1.5 Watt with LED lamp OFF at USB2.0
-------------	--

Lighting

Lamp Type	LED light
-----------	-----------

Input/Output

USB	USB3.0 x 1
MIC	Built-in

Optics

Focusing	Auto / Manual
Shooting Area	Max (Large than A3 420x297) 4:3 = 530x396 mm (+/- 10mm) @410mm high/ 20.8x15.5 inch 16:9=545x305 mm (+/- 10mm) @440mm high/ 21.4x12.0 inch 5:4=498x397 mm (+/- 10mm) @410mm high/19.6x15.6 inch Min 4:3 = 130x96 mm (+/- 10mm) @100mm high/ 5.1x3.7 inch 16:9=123x69 mm (+/- 10mm) @100mm high/ 4.8x2.7 inch 5:4=120x96 mm (+/- 10mm) @100mm high/ 4.7x3.7 inch
Zooming	16X Digital Zoom

Dimension

Operating	233.0 x 312.0 x 468.0mm 9.1 x 12.2 x 18.4 inch
Folded	242.0 x 187.5 x 44.0mm 9.5 x 7.3 x 1.7 inch
Weight	1.7kg(+/-0.1kg) (3.74lbs)

For User Manual and Software, please visit the link below.

<http://averusa.com/classroom-technology/support/>

For Warranty information, please visit the link below.

<http://www.averusa.com/classroom-technology/support/warranty.asp>